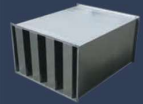


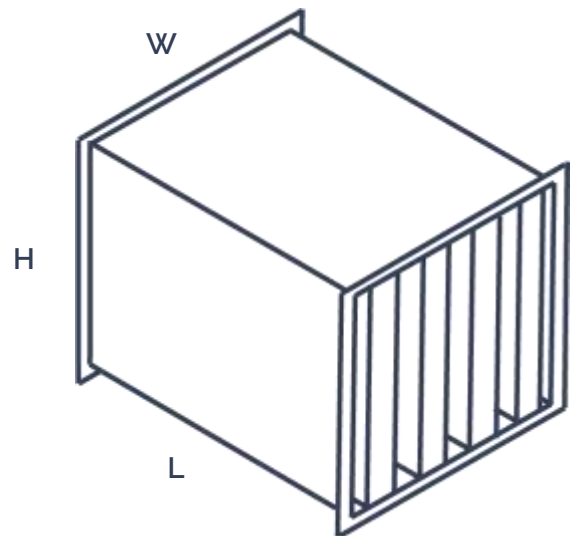
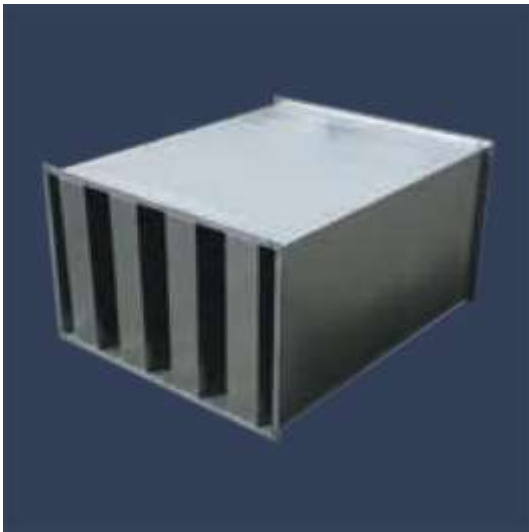


TECHNICAL DATA SHEET

Splitter silencer ref. 230009000 series



Splitter silencer ref. 230009000 series -26 to -30dB(A) Noise reduction



Fabrication

- Casing in galvanized steel Z275
- Splitters frame in galvanized steel and insulation pillow in mineral wool protected with glass cloth

Delivery

- For an easier handling, our silencers are delivered in kit to be assembled with erection notice
- Assembled duct with positioning markings and baffles to be mounted by self-tapping screws.

Conditions

- max. air flow : the selected air flow is a maximum value
- max pressure drop calculated at max flow is below than 100 Pa
- induced noise generation calculated at max flow is below than Lw 60dB

This standard product is suggested in cubic format which optimizes the performance / price ratio. Any dimensions are available on request. Dedicated design including specific value for pressure drop and induced noise are available on request too.

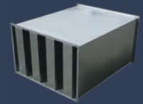


The overall attenuation of our silencers is calculated on the basis of a pink noise source.
 That is, an identical sound pressure level on all the octave band frequencies
 A-weighting is applied by octave band to provide a single A-weighted value as input dB(A) noise
 Each octave band is respectively reduced by silencer attenuation value by octave band
 The final noise level resultant is the addition of each band using logarithmic method
 The silencer performance value is the difference between global input dB(A) noise and global resultant dB(A) noise.



TECHNICAL DATA SHEET

Splitter silencer ref. 230009000 series



Main parameters octave band attenuation values per model

Ref	63 HZ	125 HZ	250 HZ	500HZ	1000 HZ	2000 HZ	4000 HZ	8000 HZ	NR dB(A)	m3/h	Dimensions H x W x Lenght
230009001	4	12	32	44	50	47	30	20	26	1 800	325 mm x 325 mm x 1800 mm
230009002	4	12	32	44	50	47	30	20	26	7 000	650 mm x 650 mm x 1800 mm
230009003	4	12	32	44	50	47	30	20	26	15 800	975 mm x 975 mm x 1800 mm
230009004	3	7	16	41	50	50	37	27	26	3 500	400 mm x 400 mm x 2100 mm
230009005	3	7	16	41	50	50	37	27	26	7 800	600 mm x 600 mm x 2100 mm
230009006	3	7	16	41	50	50	37	27	26	13 800	800 mm x 800 mm x 2100 mm
230009007	3	7	16	41	50	50	37	27	26	21 600	1000 mm x 1000 mm x 2100 mm
230009008	3	7	16	41	50	50	37	27	26	31 100	1200 mm x 1200 mm x 2100 mm
230009009	3	7	17	39	49	48	35	28	27	2 300	350 mm x 350 mm x 1500 mm
230009010	3	7	17	39	49	48	35	28	27	5 100	525 mm x 525 mm x 1500 mm
230009011	3	7	17	39	49	48	35	28	27	9 100	700 mm x 700 mm x 1500 mm
230009012	3	7	17	39	49	48	35	28	27	14 200	875 mm x 875 mm x 1500 mm
230009013	3	7	17	39	49	48	35	28	27	20 400	1050 mm x 1050 mm x 1500 mm
230009014	5	11	24	34	42	41	30	22	27	2 200	500 mm x 500 mm x 900 mm
230009015	5	11	24	34	42	41	30	22	27	4 900	750 mm x 750 mm x 900 mm
230009016	5	11	24	34	42	41	30	22	27	8 600	1000 mm x 1000 mm x 900 mm
230009017	4	7	19	38	50	47	37	27	27	1 300	300 mm x 300 mm x 1200 mm
230009018	4	7	19	38	50	47	37	27	27	2 900	450 mm x 450 mm x 1200 mm
230009019	4	7	19	38	50	47	37	27	27	5 200	600 mm x 600 mm x 1200 mm
230009020	4	7	19	38	50	47	37	27	27	8 100	750 mm x 750 mm x 1200 mm
230009021	4	7	19	38	50	47	37	27	27	11 700	900 mm x 900 mm x 1200 mm
230009022	4	7	19	38	50	47	37	27	27	15 900	1050 mm x 1050 mm x 1200 mm
230009023	3	8	19	44	50	50	39	29	28	3 500	400 mm x 400 mm x 2400 mm
230009024	3	8	19	44	50	50	39	29	28	7 800	600 mm x 600 mm x 2400 mm
230009025	3	8	19	44	50	50	39	29	28	13 800	800 mm x 800 mm x 2400 mm
230009026	3	8	19	44	50	50	39	29	28	21 600	1000 mm x 1000 mm x 2400 mm
230009027	3	8	19	44	50	50	39	29	28	31 100	1200 mm x 1200 mm x 2400 mm
230009028	5	13	37	49	50	50	33	22	28	1 800	325 mm x 325 mm x 2100 mm
230009029	5	13	37	49	50	50	33	22	28	7 000	650 mm x 650 mm x 2100 mm
230009030	5	13	37	49	50	50	33	22	28	15 800	975 mm x 975 mm x 2100 mm
230009031	5	13	31	39	50	45	30	23	28	1 300	300 mm x 300 mm x 1500 mm
230009032	5	13	31	39	50	45	30	23	28	5 200	600 mm x 600 mm x 1500 mm
230009033	5	13	31	39	50	45	30	23	28	11 700	900 mm x 900 mm x 1500 mm
230009034	5	13	31	39	50	45	30	23	28	20 700	1200 mm x 1200 mm x 1500 mm
230009035	3	9	19	42	50	50	38	31	29	2 300	350 mm x 350 mm x 1800 mm
230009036	3	9	19	42	50	50	38	31	29	5 100	525 mm x 525 mm x 1800 mm
230009037	3	9	19	42	50	50	38	31	29	9 100	700 mm x 700 mm x 1800 mm
230009038	3	9	19	42	50	50	38	31	29	14 200	875 mm x 875 mm x 1800 mm
230009039	3	9	19	42	50	50	38	31	29	20 400	1050 mm x 1050 mm x 1800 mm
230009040	5	12	27	36	46	43	31	24	29	3 600	550 mm x 550 mm x 1200 mm
230009041	5	12	27	36	46	43	31	24	29	8 000	825 mm x 825 mm x 1200 mm
230009042	5	12	27	36	46	43	31	24	29	14 300	1100 mm x 1100 mm x 1200 mm
230009043	4	9	20	45	50	50	40	33	29	2 300	350 mm x 350 mm x 2100 mm
230009044	4	9	20	45	50	50	40	33	29	5 100	525 mm x 525 mm x 2100 mm
230009045	4	9	20	45	50	50	40	33	29	9 100	700 mm x 700 mm x 2100 mm
230009046	4	9	20	45	50	50	40	33	29	14 200	875 mm x 875 mm x 2100 mm
230009047	4	9	20	45	50	50	40	33	29	20 400	1050 mm x 1050 mm x 2100 mm
230009048	5	15	40	50	50	50	35	23	29	1 800	325 mm x 325 mm x 2400 mm
230009049	5	15	40	50	50	50	35	23	29	7 000	650 mm x 650 mm x 2400 mm
230009050	5	15	40	50	50	50	35	23	29	15 800	975 mm x 975 mm x 2400 mm
230009051	4	9	21	46	50	50	41	36	30	1 300	300 mm x 300 mm x 1500 mm
230009052	4	9	21	46	50	50	41	36	30	2 900	450 mm x 450 mm x 1500 mm
230009053	4	9	21	46	50	50	41	36	30	5 200	600 mm x 600 mm x 1500 mm
230009054	4	9	21	46	50	50	41	36	30	8 100	750 mm x 750 mm x 1500 mm
230009055	4	9	21	46	50	50	41	36	30	11 700	900 mm x 900 mm x 1500 mm
230009056	4	9	21	46	50	50	41	36	30	15 900	1050 mm x 1050 mm x 1500 mm
230009057	5	14	35	46	50	50	34	25	30	1 300	300 mm x 300 mm x 1800 mm
230009058	5	14	35	46	50	50	34	25	30	5 200	600 mm x 600 mm x 1800 mm
230009059	5	14	35	46	50	50	34	25	30	11 700	900 mm x 900 mm x 1800 mm
230009060	5	14	35	46	50	50	34	25	30	20 700	1200 mm x 1200 mm x 1800 mm

THE MANUFACTURER NETWORK FOR NEXT-GEN PURCHASING