



Engine exhaust silencer 40dB(A) for container ref. 110006000 series



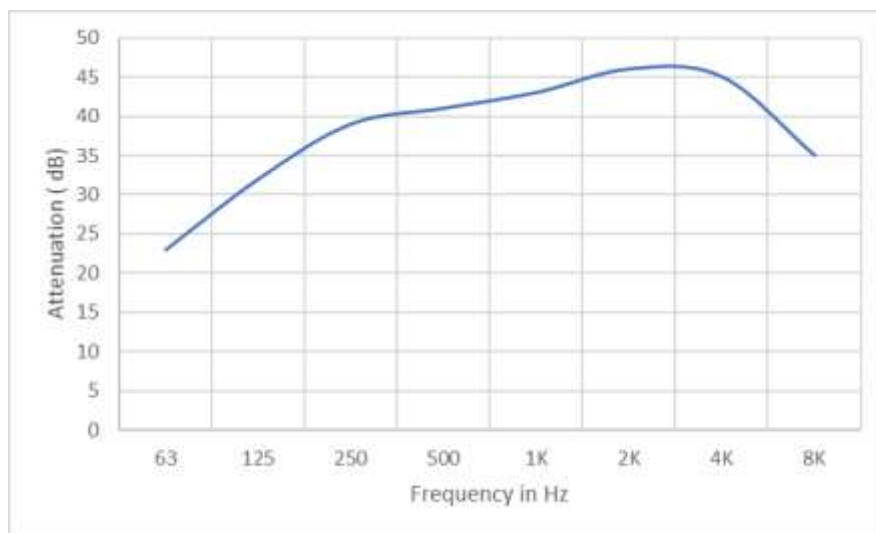
Specifications

- Silencer noise reduction 40dB(A)
- Type : absorptive & reactive
- Gas flow up to 50 000 m³/h
- Engine power from up to 4 000 kW
- Exhaust gas temperature : 450°C
- Material : carbon steel S235 JR
- Paint : high temperature primary coat

Applications : reduction of internal combustion for petrol, diesel or gas engines

Technical data

- Acoustic performance

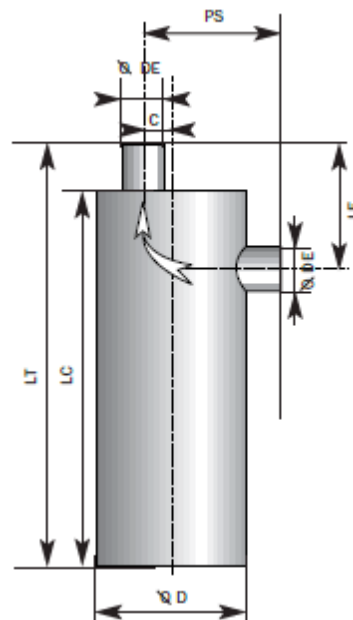


**Average intrinsic attenuation of the range based on a dominant 125Hz spectrum*



- Dimensions table**

ND	50	65	80	100	125	150	175	200	225	250	300	350	400	450
DE (mm)	60	76	89	114	140	168	194	219	246	274	324	356	406	457
D (mm)	305	305	355	406	456	555	555	605	705	755	856	956	1008	1108
LT (mm)	770	770	900	1050	1300	1465	1530	1770	1890	2060	2260	2520	2710	2965
LC (mm)	700	700	830	980	1200	1365	1420	1660	1780	1950	2150	2400	2590	2845
LE (mm)	190	200	210	220	260	280	310	320	340	350	380	410	440	490
C (mm)	50	50	60	70	90	110	110	125	150	160	185	200	220	245
PS (mm)	275	275	310	350	420	490	500	540	615	650	730	810	845	920
Mass (kg)	31	32	35	45	60	100	105	135	190	280	330	460	530	660



*Dimensions are shown without flanges, add 5 mm for each welded flange
 *Dimensional tolerances to ISO 13920 class B